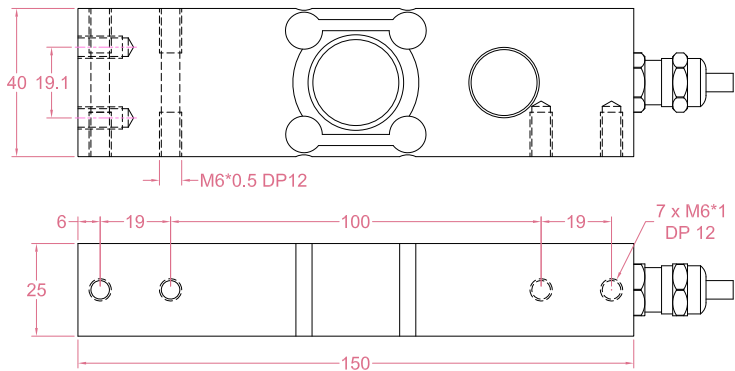
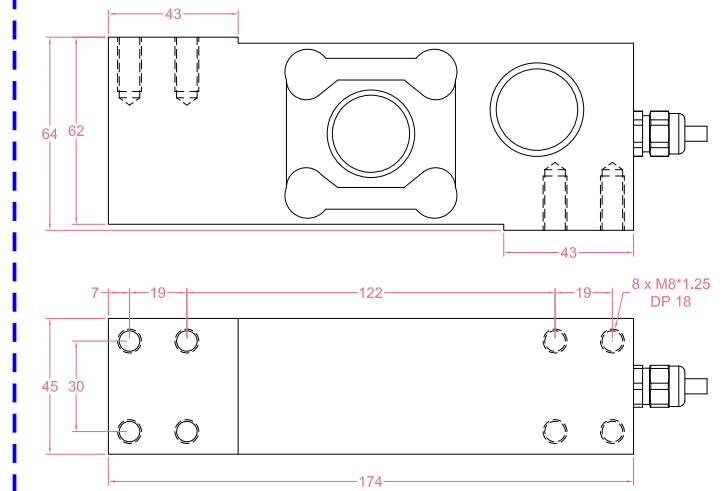


Dimensions in "mm"

10/20/50/75/100kg



150/200/300/500/600kg



Order example:

2 x LCE24 - 100kg - 4W

Quantity Model Capacity 4W:4-wire
 6W:6-wire

Email to sales@loadcellsensor.com for a quote

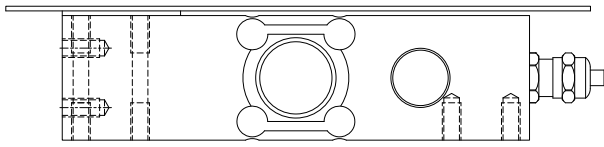
Specifications			
Rated Capacity	10/20/50/75/100/150/200/300/500/600 kg		
Rated Output	2.0±0.2 mV/V	Compensated Temp.	-10...+40°C
Excitation	3~15V	Operating Temp.	-30...+70°C
Zero Balance	±0.05 mV/V	Temp. Coeff. of Zero	±0.002% F.S./°C
Nonlinearity	±0.02% F.S.	Temp. Coeff. of Span	±0.002% F.S./°C
Hysteresis	±0.02% F.S.	Input Resistance	380±30 Ohms
Nonrepeatability	±0.015% F.S.	Output Resistance	352±5 Ohms
Creep(30min)	±0.02% F.S.	Insulation Resistance	>2000M Ohms(50V)
Safe Load Limit	150% F.S.	IP Rating	IP68
Breaking Load	250% F.S.	Element Material	Stainless steel
Cable	Ø5*3000mm 4-conductor or 6-conductor shielded cable		

• LCS reserves the right to modify its design and specifications without notice

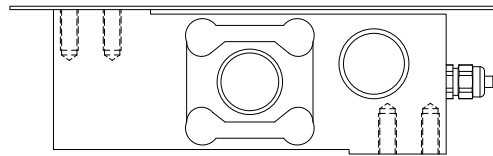
P:1/2



Load direction



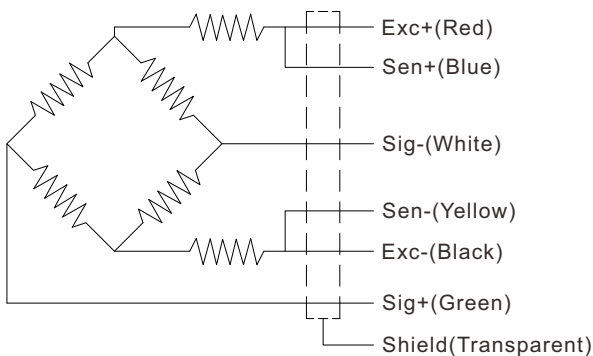
Suitable for off center load measurement.
 Platform size goes up to 400x400mm
 10kg~100kg



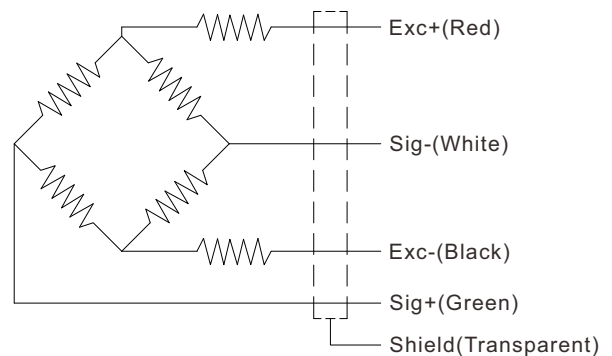
Suitable for off center load measurement.
 Platform size goes up to 600x600mm
 150kg~600kg

Wiring Diagram

6-wire connection



4-wire connection



Shield is NOT connected to the sensor body

Sensor/Amplifier/Indicator

Items	Power supply	Output/Function
LCE24	3-15V (Constant)	0mV...+30mV (Depending on the power supply)
LCE24 + Analog amplifier	12~24V DC	0-3.3V,0-5V,0-10V, 0-20mA,4-20mA...
LCE24 + Digital amplifier	12~24V DC	RS485 or RS232 output
LCE24 + Indicator	12~24V DC	Display force value Switch/Relay output Peak holding RS485/RS232 interface 0-5V/0-10V/4-20mA output

Email us for datasheet of amplifier and indicator

