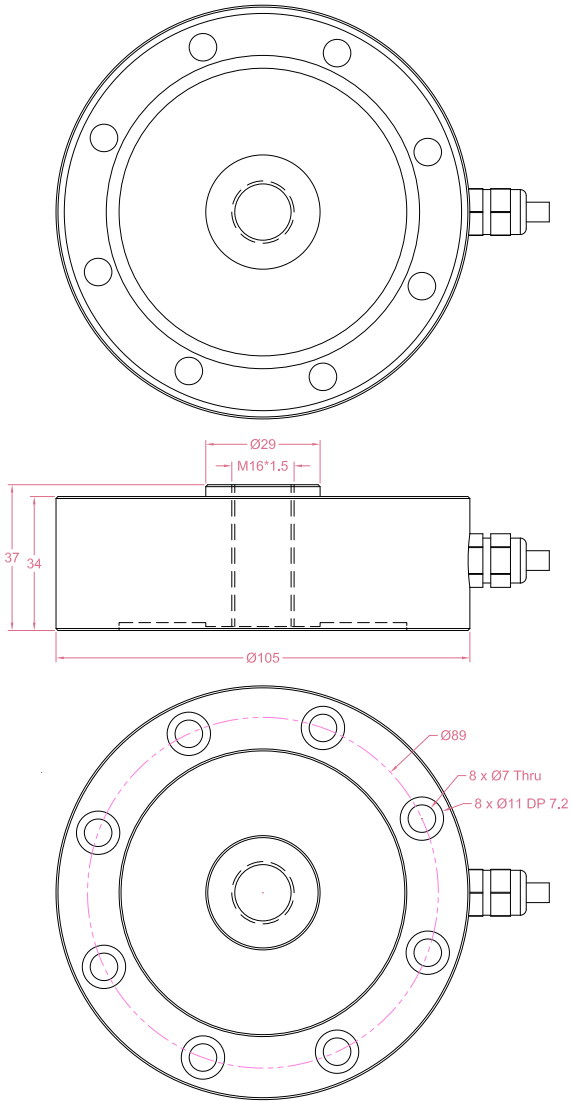




Dimensions in "mm"



Order example:

1 x LCPA -10kN - A

Quantity	Model	Capacity	Output
			A:0-5V B:0-10V C:4-20mA

Email to [sales@loadcellsensor.com](mailto:sales@loadcellsensor.com) for a quote

Specifications			
Rated Capacity	5/10/20/30/50 kN		
Rated Output	0-5V,0-10V 4-20mA	Safe Load Limit	150% F.S.
Excitation	12~24V DC	Breaking Load	200% F.S.
Zero Balance	±2% of R.O.	Operating Temp.	-10...+60°C
Nonlinearity	±0.2% F.S.	Temp. Coeff. of Zero	±0.02% F.S./°C
Hysteresis	±0.2% F.S.	Temp. Coeff. of Span	±0.02% F.S./°C
Nonrepeatability	±0.1% F.S.	IP Rating	IP65
Creep(3min)	±0.1% F.S.	Element Material	Stainless steel
Cable & Wiring	Ø5.3*3000mm Red: Power+    Green: Output+    Black: Power-/Output-		

• LCS reserves the right to modify its design and specifications without notice

